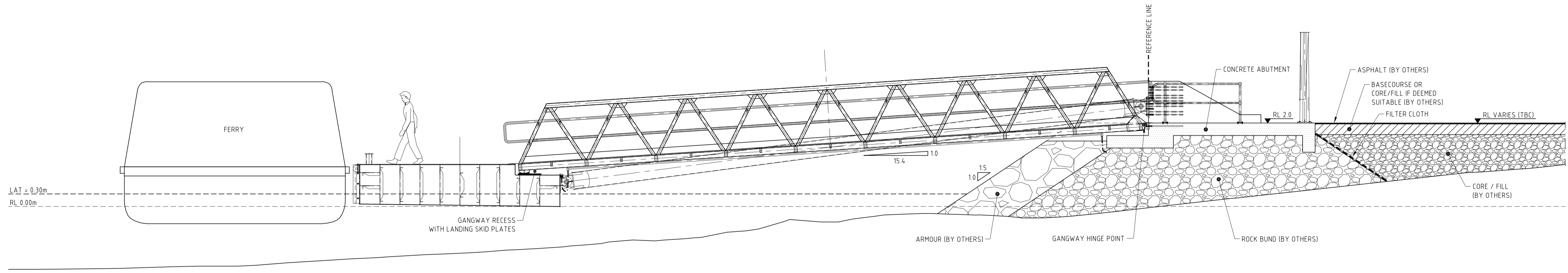
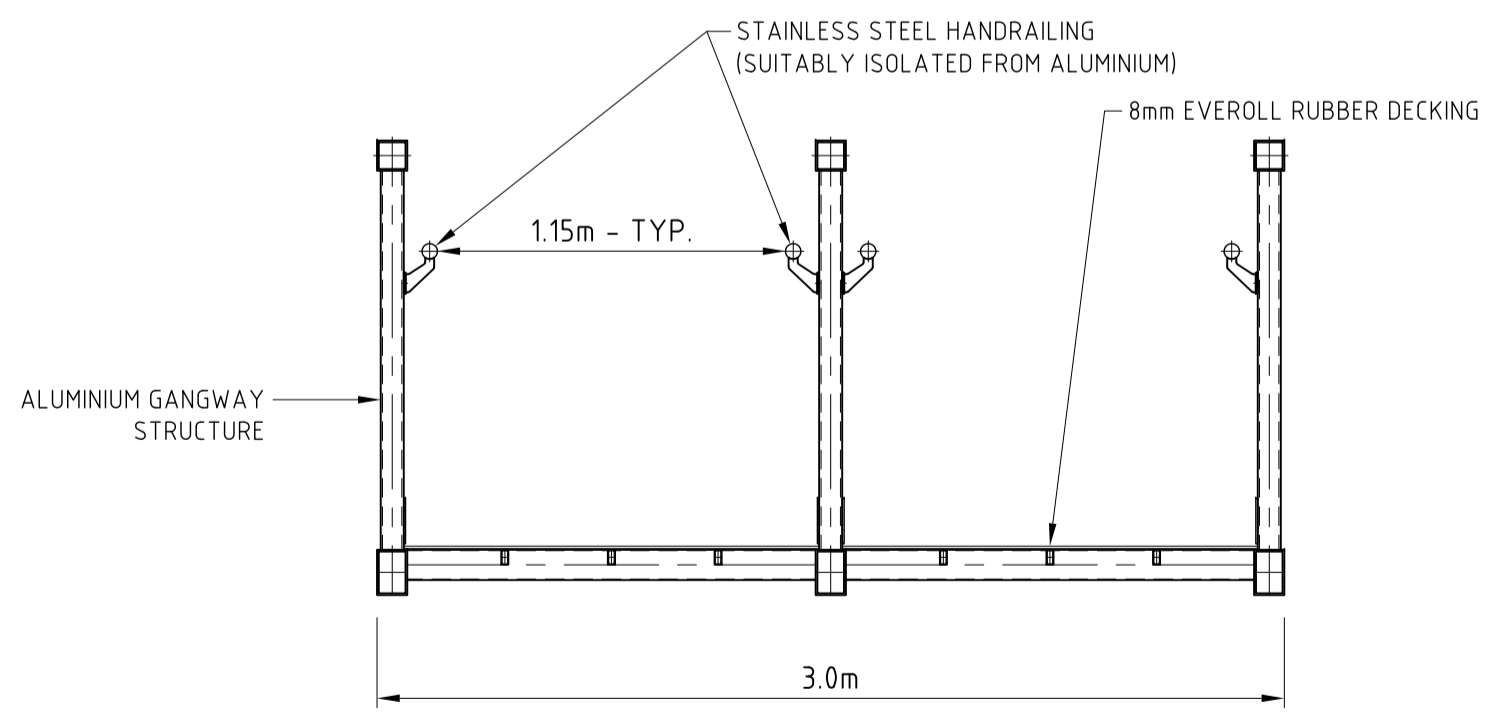


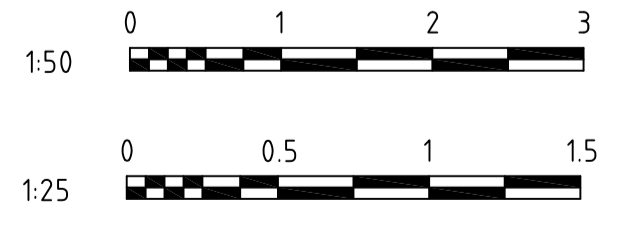
S-A
1717-18-10 SECTION 'A' - HAT



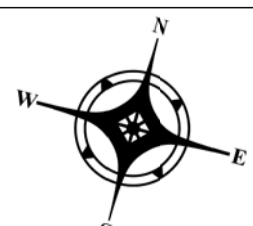



S-A
1717-18-10 SECTION 'A' - LAT



S-B
1717-18-10 SECTION 'B' - TYPICAL GANGWAY SECTION
SCALE 1:25



0		22.02.18	ISSUED FOR CONSTRUCTION	SW	TM	SCALE: 1 : 50 (U.N.O.) @ A1 UNLESS OTHERWISE STATED DIMENSIONS IN MILLIMETRES METADATA: HORIZ. DATUM: PERTH COASTAL GRID (PCG 94) VERT. DATUM: FREMANTLE, LWM 1949, 1.994m BELOW BENCHMARK 'CITY 47' AND 0.76m BELOW AHD 1971. BATHYMETRY: - LAND CONTOURS: - SURVEYS: -	DESIGN CONSULTANT: INTERNATIONAL MARITIME CONSULTANTS 	CONTRACTOR: MARITIME CONSTRUCTIONS 		Department of Transport		
C		20.12.17	ISSUED FOR APPROVAL	SW	TM					BURSWOOD PUBLIC JETTY		
B		17.11.17	ISSUED FOR REVIEW (MARITIME CONSTRUCTIONS)	SW	TM					MARINE STRUCTURES DESIGN & CONSTRUCT		
A		30.06.17	ISSUED FOR COMMENT	SW	TM					GENERAL ARRANGEMENT		
REVN	DATE	AMENDMENT	DRN	DESIGN APPROVAL	PROJECT MANAGER PROJECT DIRECTOR DIRECTOR OF PROJECT DELIVERY					DRAWING NUMBER 1717 - 18 - 12	REVN 0	
ORIG SIZE A1		FILE No		© CROWN COPYRIGHT		SAVED-2018-02-23						